



coffee



beverage

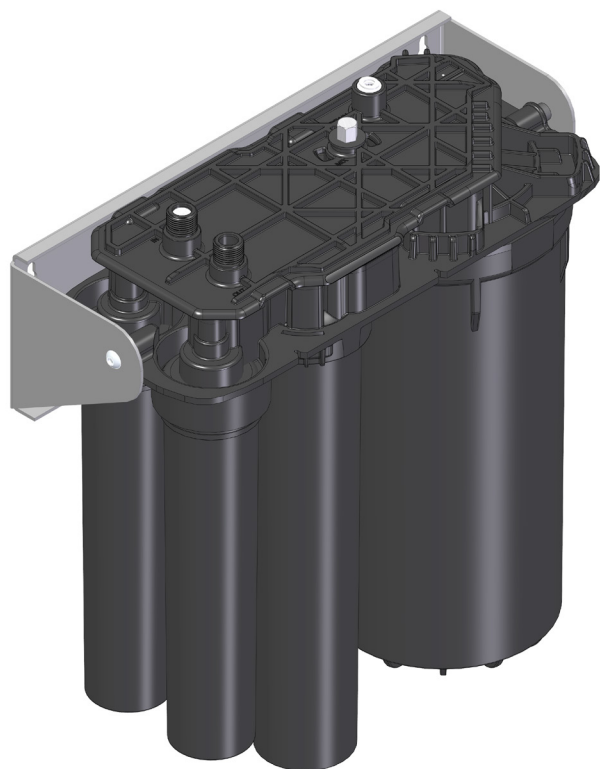


steam oven



tech use

DATA SHEET



Profine® ZERO professional

Zero professional is a reverse osmosis system:

- high instantaneous flow rate
- without electricity
- includes activated pre-treatment and post-treatment activated carbon filters with bacteriostatic action
- with expansion integrated vessel with patented features
- with an exclusive layout that creates important savings in water use
- exclusive and compact design
- equipped with integrated support bracket for horizontal and vertical mounting
- with conductivity adjustment screw

All features that make Zero Professional a unique product for osmotized water production.

The exclusive design simplifies filter change and both ordinary and extraordinary maintenance, boasting the absence of traditional hydraulic connections for an integrated circuit.

The water treatment in the industrial and professional world is the essential to have water with specific chemical characteristics, starting from a common tap water.

In this scope the presence of salts dissolved in water is often incompatible with the equipments and working process itself. Reverse osmosis and its pre-treatments are specific processes that allow the salt reduction and allow the treated water to obtain the required qualities.

All Profine® equipments and systems allow to decide the residual salinity according to your specific quality and range requirements.

The use of ZERO professional is ideal in a wide variety of fields, from beverage and vending to cooking systems, steam ovens, washing systems, chemicals, photovoltaic panels, to dental surgeries.



conforme a
DM 25/2012



MADE IN ITALY

MODEL

OF80002000N

DIMENSIONS (support bracket included)

WxDxH 326 x 147 x 350 mm

PACKAGING

WxDxH 338 x 145 x 410 mm

DATA SHEET

TECHNICAL DATA

<i>inlet pressure</i>	<i>capacity supplied in 1 minute</i>	<i>refill reserve</i>	<i>test conditions</i>	
bar/PSI	l/min	min	<i>inlet water temperature</i>	15 °C 59 °F
2,5/36	2,4	15	<i>rejection</i>	>90
3/43	2,7	12	<i>recovery</i> <small>typically at a pressure of 36 PSI</small>	40%
4/58	3,2	8		

ZERO PROFESSIONAL

<i>parameter (with by-pass off)</i>		<i>in</i>	<i>out</i>
<i>conductivity at 77 °F</i>	µS/cm	289	14,7
<i>hydrogen ion concentration</i>	pH	8,15	7,54
<i>chloride</i>	mg/l	3,1	0,223
<i>solphates</i>	mg/l	19,3	0,572
<i>zinc</i>	µg/l Zn	11,8	n.r.
<i>calcium</i>	mg/l Ca	32,4	1,48
<i>magnesium</i>	mg/l Mg	11,5	0,45
<i>potassium</i>	mg/l K	0,7	0,176
<i>sodium</i>	mg/l Na	2,07	0,52
<i>total phosphorus</i>	µg/l P ₂ O ₅	29,8	n.r.
<i>hexavalent chromium</i>	µg/l Cr	0,94	n.r.
<i>nitrates</i>	mg/l	3,5	2,9

technical specifications

<i>time flow rate</i>	24 l/h (@ 4 bar)
<i>working pressure min/max</i>	1,5 bar/6 bar 21.7 PSI/87 PSI*
<i>temperature min/max</i>	5/35 °C 41/95 °F

STANDARD INSTALLATION KIT

- Support Bracket
- 2 M6x20 screws
- Spacer
- Lateral drain support bracket 1/4" for OD 40 pipe
- 2 pipes 8 mm x 1 m
- 1 pipe 1/4" x 1 m

OPTIONAL

- LED faucet
- Anti-flooding system
- Pressurization system
- Pressure reducer
- Untreated water inlet valve kit