



MODEL TWIN WS1TT DF

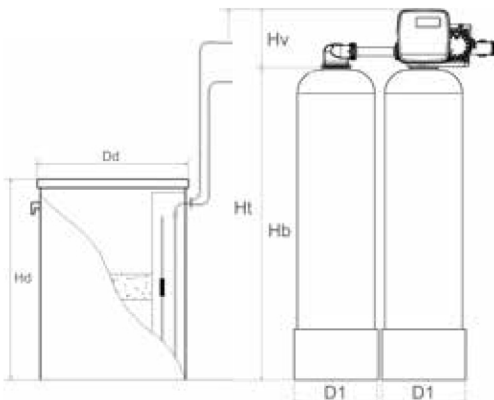
CLACK 1" SOFTENER

Alternating duplex softener for water hardness removal by ion exchange resins.

WS1TT DF meter valve controls both vessels, digital programmer and immediate downflow regeneration.

Softened water permanently available, one vessel in service and the second in regeneration or stand-by.

- Optimal design for flow service (up to 6 m³/h) and effective backwash
- GRP vessel reinforced in polyester
- Regeneration frequency of 1 to 28 days
- Turbine for control of treated water
- Includes collector between vessels.
- By-pass optional
- 1" connection
- Loaded with food grade resin of high capacity with high performance.
- Working pressure: 2,5 to 6 Bar
- Max. temperature: 43°C
- Power supply 230V-15Vcc 50/60 Hz



CODE	DIMENSIONS (mm)					
	D1	Hb	Hv	Ht	Hd	Dd
ED-3601-03	206	898	187	1085	680	445
ED-3601-04	257	896	187	1083	680	445
ED-3601-05	257	1126	187	1313	750	500
ED-3601-06	257	1386	187	1573	750	500
ED-3601-07	310	1232	187	1419	750	500
ED-3601-08	336	1393	187	1580	1000	530
ED-3601-09	363	1674	187	1861	1000	530
ED-3601-11	413	1671	187	1858	1000	530
ED-3601-12	413	1671	187	1858	1140	600
ED-3601-13	486	1722	187	1909	1140	600
ED-3601-14	486	1722	187	1909	1140	905

CODE	RESIN LOAD (L)	WORK FLOW (m ³ /h)	SALT INTAKE (Kg)	BRINE TANK (L)	FAMILY
ED-3601-03	2 x 20	0,8	4	100	B
ED-3601-04	2 x 30	1,2	6	100	B
ED-3601-05	2 x 40	1,6	8	150	B
ED-3601-06	2 x 50	2,0	10	150	B
ED-3601-07	2 x 60	2,4	12	150	B
ED-3601-08	2 x 80	3,2	16	200	B
ED-3601-09	2 x 100	4,0	20	200	B
ED-3601-11	2 x 125	5,0	25	200	B
ED-3601-12	2 x 140	5,6	28	300	B
ED-3601-13	2 x 170	6,0	34	300	B
ED-3601-14	2 x 200	6,0	40	500	B